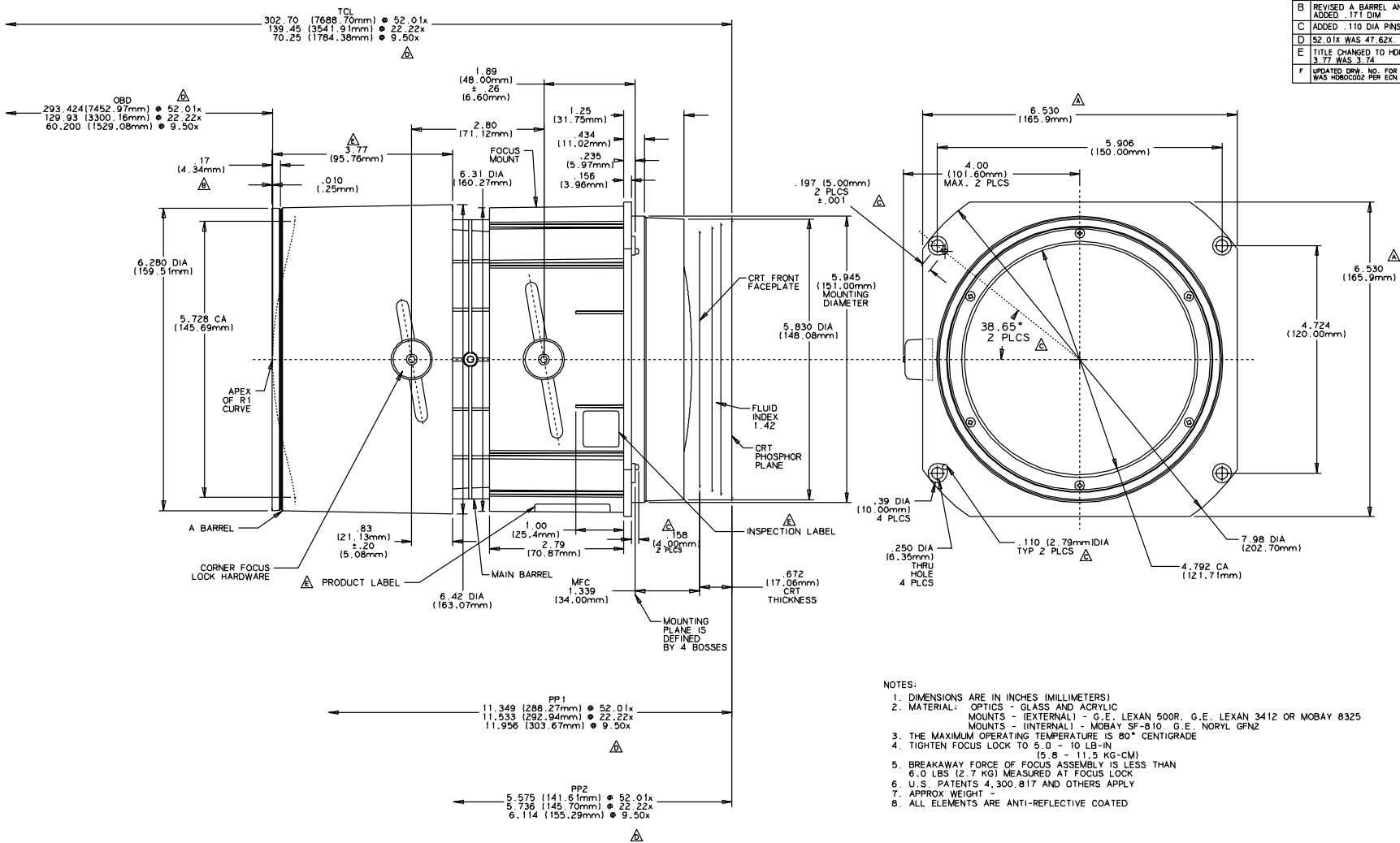


REVISIONS			
REV	DESCRIPTION	DATE	BY
A	6.530 WAS 6.693, 6.530 WAS 7.000	3/27/90	JWM
B	REVISED A BARREL AND A RETAINER, ADDED .171 DIM	6/6/90	JWM
C	ADDED .110 DIA PINS (2 PLCS)	7/9/90	JWM
D	52.01X WAS 47.62X, 9.50X WAS 12.50X	3/1/91	BES
E	TITLE CHANGED TO HD8B, ADDED LABELS 3.77 WAS 3.74	4/16/91	JWM
F	UPDATED DRW. NO. FOR D.O.L. - 0064CS8021 WAS HD8C002 PER ECH PGE-314-00.	12/20/00	PRB



- NOTES:
- DIMENSIONS ARE IN INCHES (MILLIMETERS)
 - MATERIAL: OPTICS - GLASS AND ACRYLIC
MOUNTS - (EXTERNAL) - G.E. LEXAN 500R, G.E. LEXAN 3412 OR MOBAY 8325
MOUNTS - (INTERNAL) - MOBAY SF-810, G.E. NORYL GFN2
 - THE MAXIMUM OPERATING TEMPERATURE IS 80° CENTIGRADE
 - TIGHTEN FOCUS LOCK TO 5.0 - 10 LB-IN (5.8 - 11.5 KG-CM)
 - BREAKAWAY FORCE OF FOCUS ASSEMBLY IS LESS THAN 6.0 LBS (2.7 KG) MEASURED AT FOCUS LOCK
 - U.S. PATENTS 4,300,817 AND OTHERS APPLY
 - APPROX WEIGHT -
 - ALL ELEMENTS ARE ANTI-REFLECTIVE COATED

TOLERANCES UNLESS OTHERWISE NOTED		u.s. precision lens	
DECIMAL		microprecision	
.XX	± .01	3897 Madison Road, Cleveland, Ohio 44115 (313) 732-7200	
.XXX	± .003	TITLE: HD-8B ASSEMBLY	
.XXXX	±	PART NO: 00648021.DRW	
FRACTIONAL	±	DRAWING NO:	
ANGULAR	± 5°	MATERIAL: SEE NOTES	
DATE:	3/4/90	SCALE: FULL	
DESIGN BY:	J. MISER	SHEET 1 OF 1	
DATE:	12/14/93	PROJECT: 0064CS8021	
APPROVED BY:	GSJ	DATE: 12/14/94	